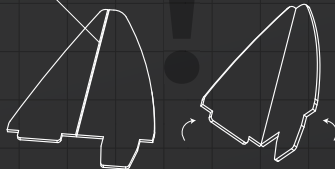


Mask of NUBIS Building Manual

Folding line



■ Notices in folding

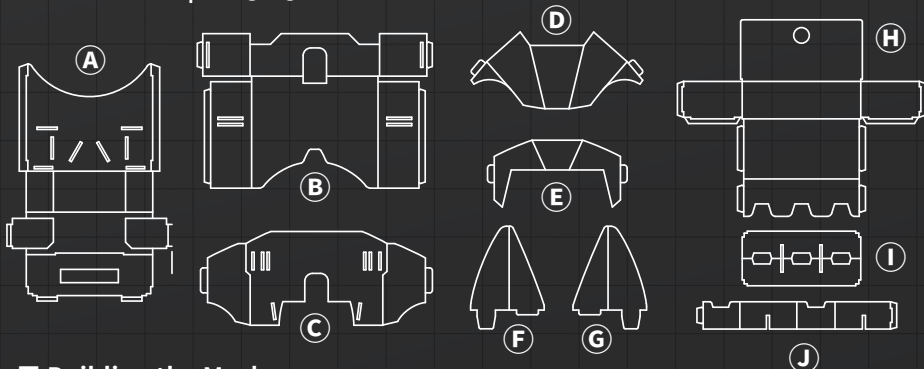
There are folding lines in the cardboard. (Valley) fold the sides with a folding line. Be careful of which way to fold for you cannot build the Mask if there are mistakes.

Build the Mask by looking at the following pictures. There are small and sharp parts. Be careful not to break them. There are parts that can be taken off easily to prevent them from breaking. Be careful in using the Mask.

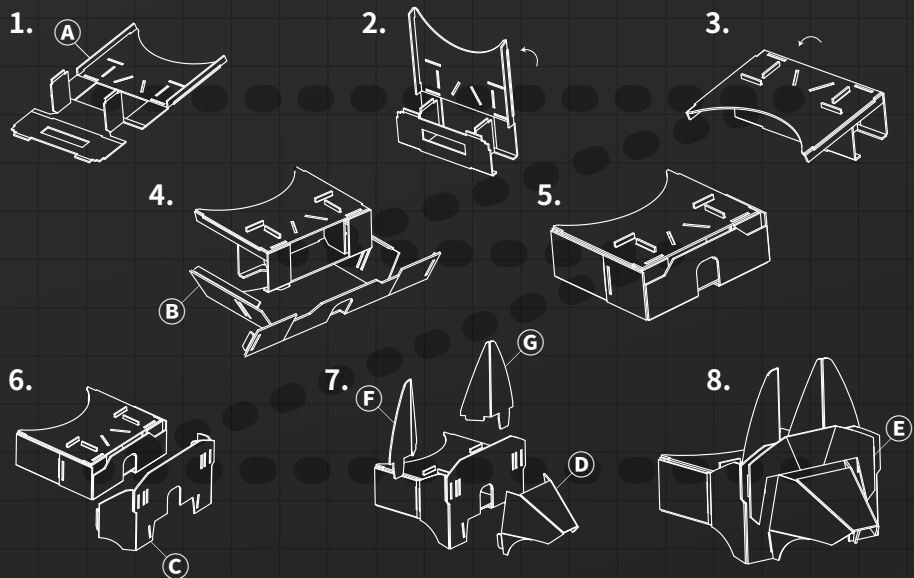
Must (Valley) fold!

■ All of the Parts

Check if all of the parts (A~J) are there.

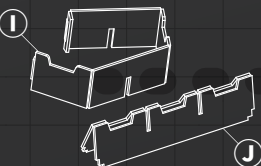
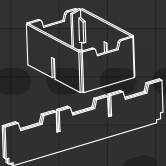
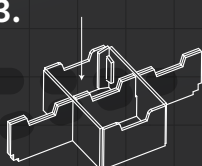
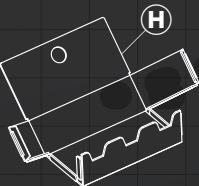
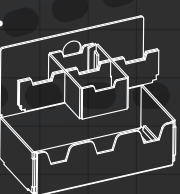
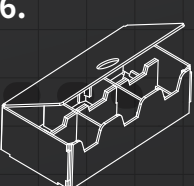


■ Building the Mask

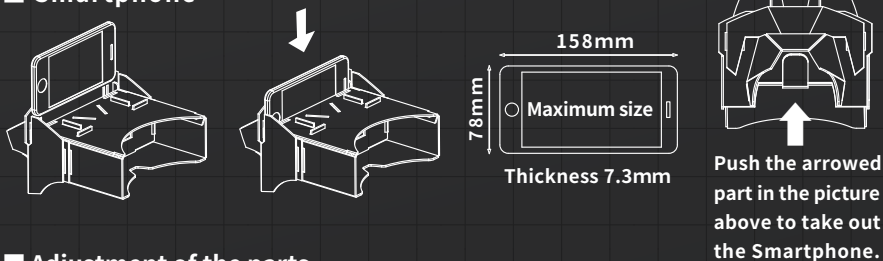


■ Building the box

Keep the Map Tiles and Monoliths and other items in the box.

1.  Part I is attached to the top edge of part J.
2.  Part J is attached to the main structure.
3.  Part I is attached to the main structure.
4.  Part H is attached to the top of the main structure.
5.  Part G is attached to the main structure.
6.  The final assembly of the box is shown.

■ Smartphone



■ Adjustment of the parts

There are three holes for parts ⑤. Select the holes suitable for your Smartphone. Choose the most inward holes in using a small Smartphone as it is shown in the picture at the right end.



■ To Store

